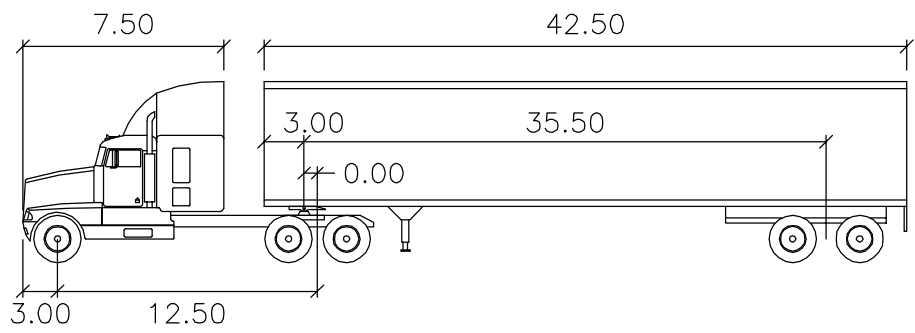
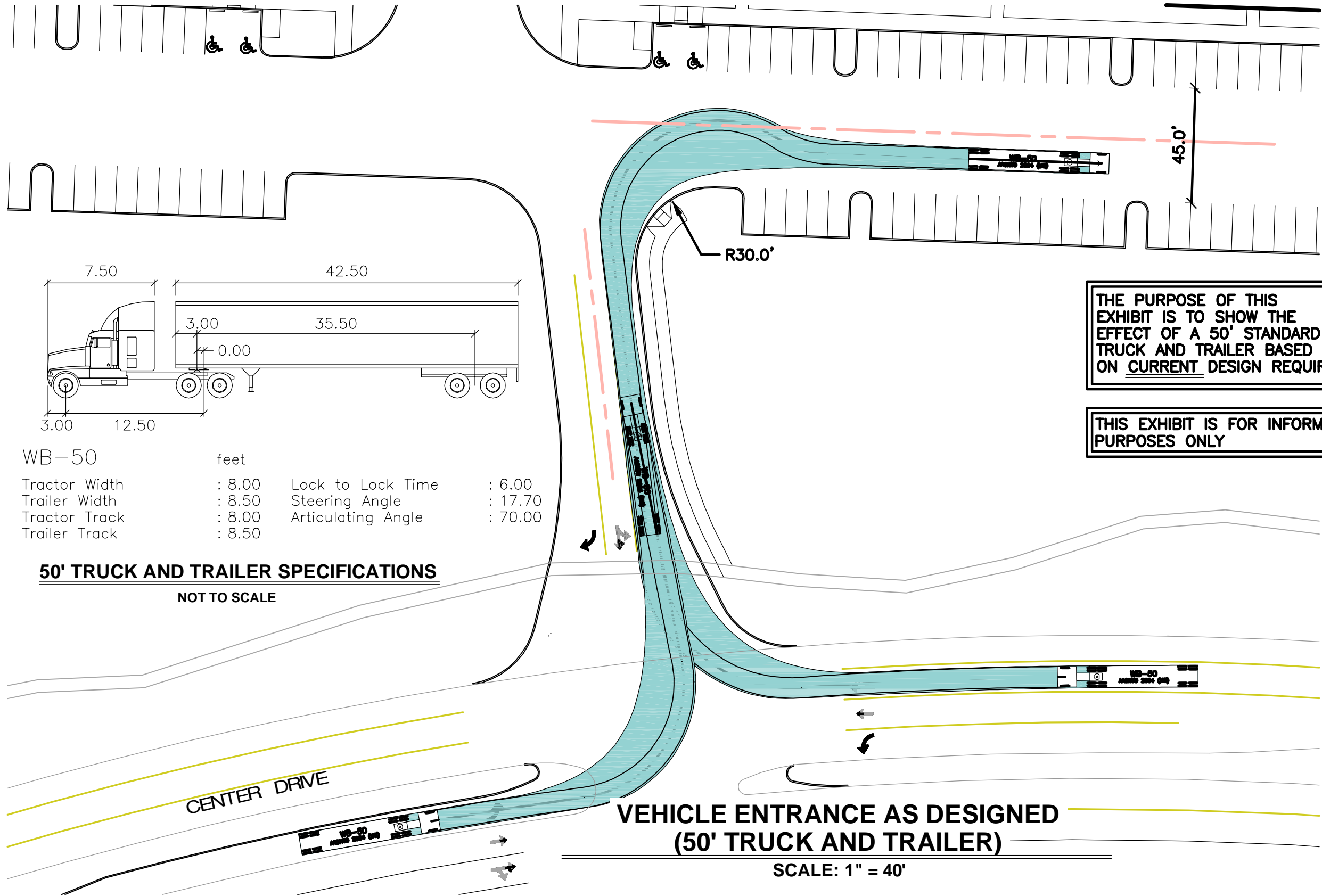
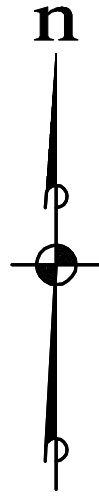


# DUPONT CORPORATE PARK



WB-50                      feet

Tractor Width	: 8.00	Lock to Lock Time	: 6.00
Trailer Width	: 8.50	Steering Angle	: 17.70
Tractor Track	: 8.00	Articulating Angle	: 70.00
Trailer Track	: 8.50		

**50' TRUCK AND TRAILER SPECIFICATIONS**  
NOT TO SCALE

THE PURPOSE OF THIS EXHIBIT IS TO SHOW THE EFFECT OF A 50' STANDARD TRUCK AND TRAILER BASED ON CURRENT DESIGN REQUIREMENTS.

THIS EXHIBIT IS FOR INFORMATIONAL PURPOSES ONLY

**VEHICLE ENTRANCE AS DESIGNED (50' TRUCK AND TRAILER)**

SCALE: 1" = 40'

DUPONT CORPORATE PARK LLC

DUPONT CORPORATE PARK  
VEHICLE ENTRANCE AS DESIGNED

DRAWING: EN54

**ESM** CONSULTING ENGINEERS LLC  
33915 1st Way South #200  
Federal Way, WA 98003

FEDERAL WAY (253) 838-6113  
BOTHELL (425) 415-6144  
ELLENSBURG (509) 962-2608

Land Planning  
Landscape Architecture

www.esmcivil.com

Civil Engineering | Land Surveying | Project Management  
Public Works | Project Management | Landscape Architecture

JOB NO. 1317-001-006      DATE: 2008-02-06  
DRAWN: VK      SHEET 1 OF 2

File: \\esm8\engr\ESM-DOB\1317\001\006\exhibits\EN-54.dwg  
Plotted: 2/7/2008 2:09 PM      Plotted By: Jason Kirkles